

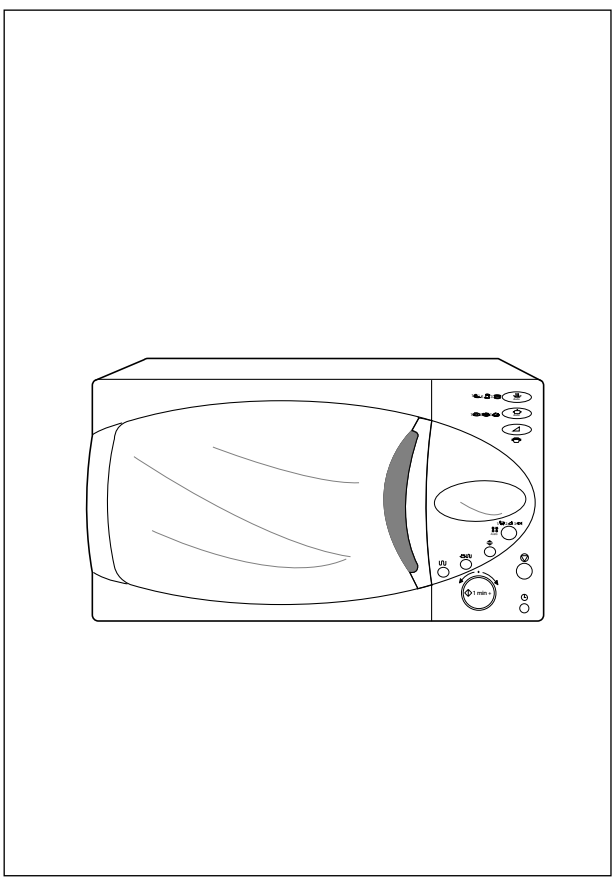
MICROWAVE OVEN

CE959GT (DARK GRAY)

SERVICE *Manual Supplement*

THIS SUPPLEMENT CONTAINS EXPLODED VIEW AND PARTS LIST FOR MODEL CE959GT(DARK GRAY). FOR MORE SERVICING INFORMATION, PLEASE CONSULT THE PREVIOUS SERVICE MANUAL FOR CE959G WHICH WAS DISTRIBUTED IN JULY 1998.

MICROWAVE OVEN



CONTENTS

1. Precaution
2. Control Panel
3. Exploded View & Parts List
4. P.C.B Diagram
5. Schematic Diagrams

Specifications	
TIMER	99 MINUTES 90 SECONDS
POWER SOURCE	230V/50HZ, AC
POWER CONSUMPTION	MICROWAVE : 1,500W GRILL : 1,300W
OUTPUT POWER	FROM 90 TO 900W (10 LEVEL POWER) (IEC-705 TEST PROCEDURE)
OPERATING FREQUENCY	2,450MHz
MAGNETRON	OM75PH(31)
COOLING METHOD	COOLING FAN MOTOR
OUTSIDE DIMENSIONS	517(W) x 297(H) x 410(D)
NET WEIGHT	20 Kg
SHIPPING WEIGHT	22 Kg

AMFO

PRECAUTIONS TO BE OBSERVED BEFORE AND DURING SERVICING TO AVOID POSSIBLE EXPOSURE TO EXCESSIVE MICROWAVE ENERGY

- (a) Do not operate or allow the oven to be operated with the door open.
- (b) Make the following safety checks on all ovens to be serviced before activating the magnetron or other microwave source, and make repairs as necessary:
 - (1) Interlock operation,
 - (2) proper door closing,
 - (3) seal and sealing surfaces (arcing, wear, and other damage),
 - (4) damage to or loosening of hinges and latches,
 - (5) evidence of dropping or abuse.
- (c) Before turning on microwave power for any service test or inspection within the microwave generating compartments, check the magnetron, wave guide or transmission line, and cavity for proper alignment, integrity, and connections.
- (d) Any defective or misadjusted components in the interlock, monitor, door seal, and microwave generation and transmission systems shall be repaired, replaced, or adjusted by procedures described in this manual before the oven is released to the owner.
- (e) A Microwave leakage check to verify compliance with the Federal performance standard should be performed on each oven prior to release to the owner.

1. Precaution

Follow these special safety precautions. Although the microwave oven is completely safe during ordinary use, repair work can be extremely hazardous due to possible exposure to microwave radiation, as well as potentially lethal high voltages and currents.

1-1 Safety precautions ()

1. All repairs should be done in accordance with the procedures described in this manual. This product complies with Federal Performance Standard 21 CFR Subchapter J (DHHS).
2. Microwave emission check should be performed to prior to servicing if the oven is operative.
3. If the oven operates with the door open : Instruct the user not to operate the oven and contact the manufacturer and the center for devices and radiological health immediatly.
4. Notify the Central Service Center if the microwave leakage exceeds 5 mW/cm^2
5. Check all grounds.
6. Do not power the MWO from a "2-prong" AC cord. Be sure that all of the built-in protective devices are replaced. Restore any missing protective shields.
7. When reinstalling the chassis and its assemblies, be sure to restore all protective devices, including: nonmetallic control knobs and compartment covers.
8. Make sure that there are no cabinet openings through which people--particularly children--might insert objects and contact dangerous voltages. Examples: Lamp hole, ventilation slots.
9. Inform the manufacturer of any oven found to have emmission in excess of 5 mW/cm^2 , Make repairs to bring the unit into compliance at no cost to owner and try to determine cause.
Instruct owner not to use oven until it has been brought into compliance.
10. Service technicians should remove their watches while repairing an MWO.
11. To avoid any possible radiation hazard, replace parts in accordance with the wiring diagram. Also, use only the exact replacements for the following parts: Primary and secondary interlock switches, interlock monitor switch.
12. If the fuse is blown by the Interlock Monitor Switch: Replace all of the following at the same time: Primary and secondary switches, as well as the Interlock Monitor Switch. The correct adjustment of these switches is described elsewhere in this manual. Make sure that the fuse has the correct rating for the particular model being repaired.
13. Design Alteration Warning:
Use exact replacement parts only, i.e., only those that are specified in the drawings and parts lists of this manual. This is especially important for the Interlock switches, described above. Never alter or add to the mechanical or electrical design of the MWO. Any design changes or additions will void the manufacturer's warranty.
10. Always unplug the unit's AC power cord from the AC power source before attempting to remove or reinstall any component or assembly.
14. Never defeat any of the B+ voltage interlocks. Do not apply AC power to the unit (or any of its assemblies) unless all solid-state heat sinks are correctly installed.
15. Some semiconductor ("solid state") devices are easily damaged by static electricity. Such components are called Electrostatically Sensitive Devices (ESDs). Examples include integrated circuits and field-effect transistors.

Immediately before handling any semiconductor components or assemblies, drain the electrostatic charge from your body by touching a known earth ground.
16. Always connect a test instrument's ground lead to the instrument chassis ground *before* connecting the positive lead; always remove the instrument's ground lead last.

CENTRAL SERVICE CENTER

1-2 Special Servicing Precautions (Continued)

17. When checking the continuity of the witches or transformer, always make sure that the power is OFF, and one of the lead wires is disconnected.
18. Components that are critical for safety are indicated in the circuit diagram by shading, ▲ or ▲.
19. Use replacement components that have the same ratings, especially for flame resistance and dielectric strength specifications. A replacement part that does not have the same safety characteristics as the original might create shock, fire or other hazards.

1-3 Special High Voltage Precautions

1. High Voltage Warning
Do not attempt to measure any of the high voltages--this includes the filament voltage of the magnetron. High voltage is present during any cook cycle.

Before touching any components or wiring, always unplug the oven and discharge the high voltage capacitor (See Figure 1-1)
2. The high-voltage capacitor remains charged about 30 seconds after disconnection. Short the negative terminal of the high-voltage capacitor to the oven chassis. (Use a screwdriver.)
3. High voltage is maintained within specified limits by close-tolerance, safety-related components and adjustments. If the high voltage exceeds the specified limits, check each of the special components.

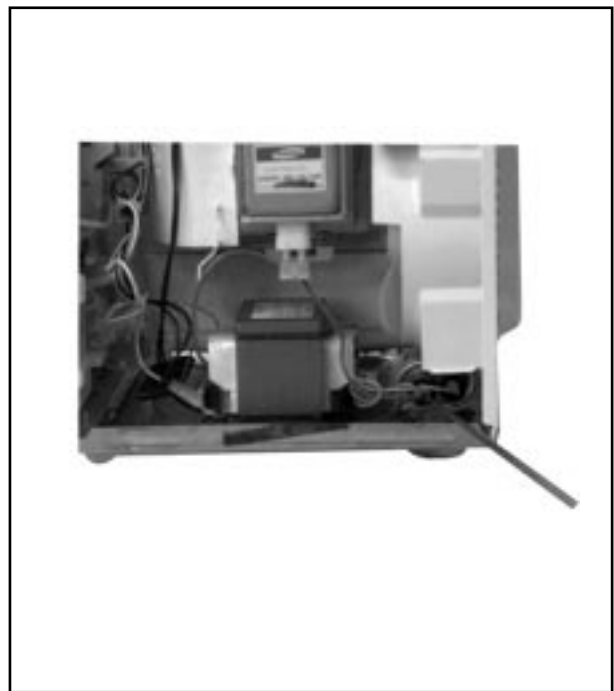
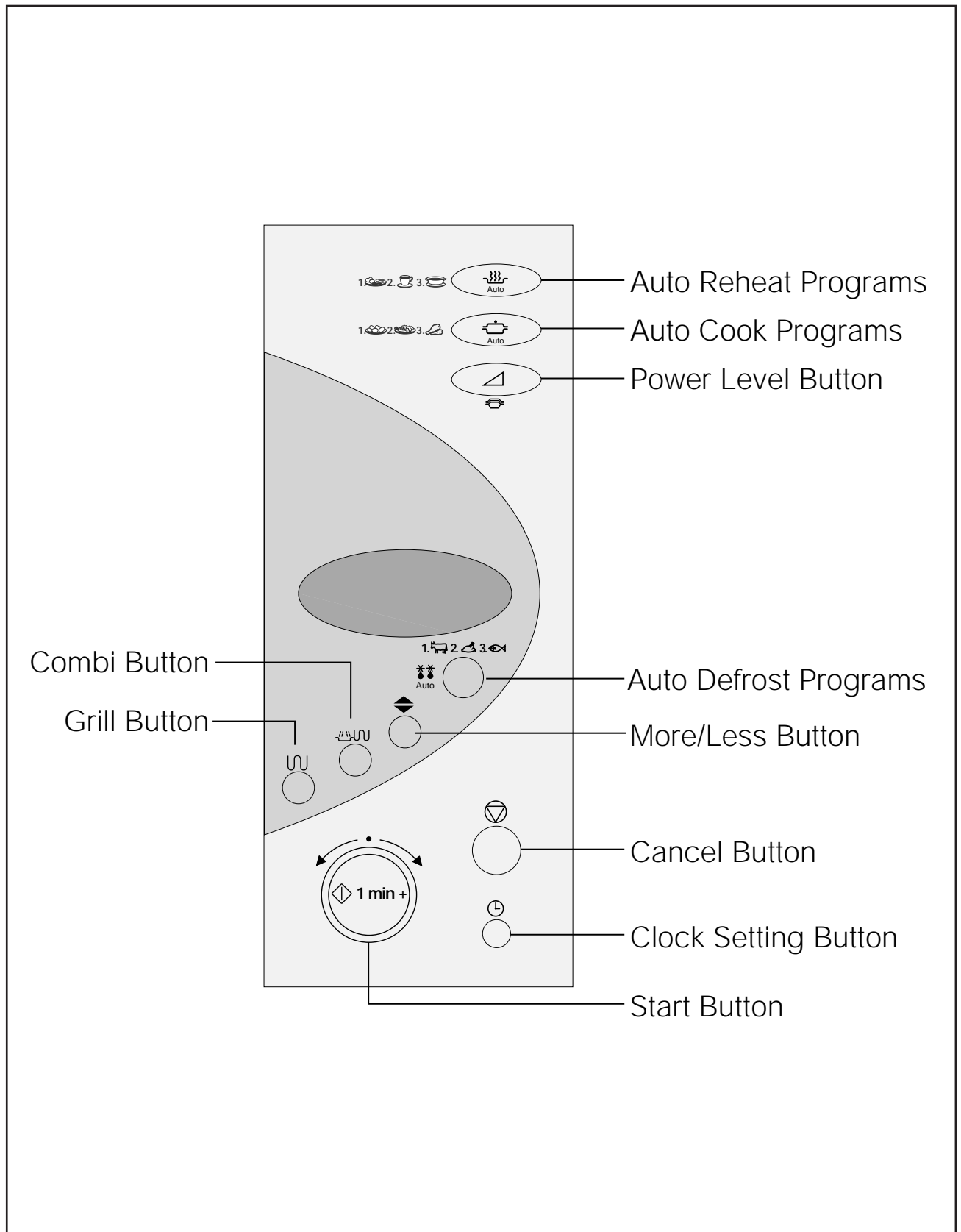


Fig. 1-1. Discharging the High Voltage Capacitor

2. Control Panel



2. Specifications

2-1 Table of Specifications

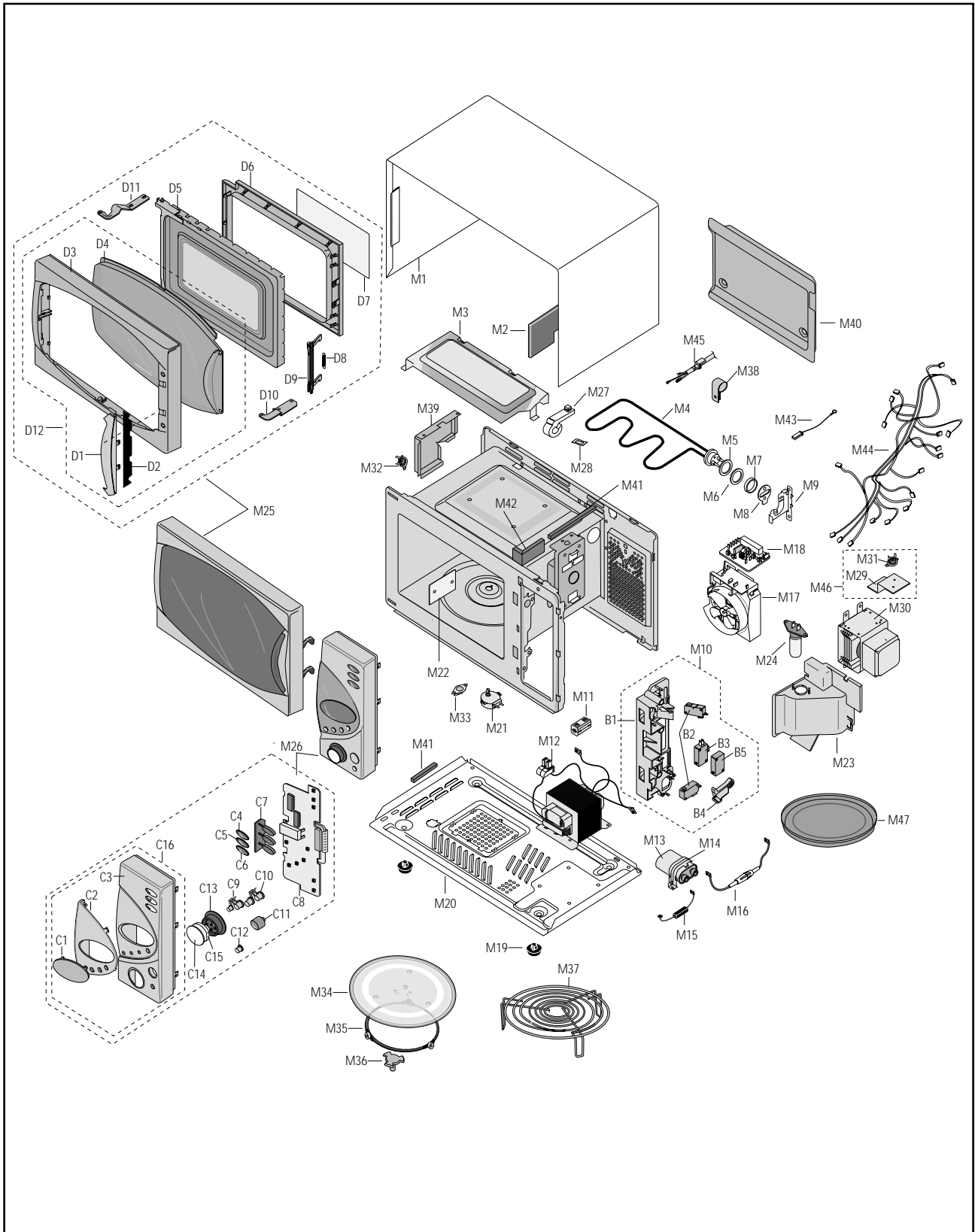
ITEM	MODEL	CE959G				
TIMER		99 MINUTES 90 SECONDS				
POWER SOURCE		230V/50HZ, AC				
POWER CONSUMPTION		MICROWAVE : 1,500W				
OUTPUT POWER		GRILL : 1,300W				
		FROM90 TO 900W				
		(10 LEVEL POWER)				
		(IEC-705 TEST PROCEDURE)				
			POWER LEVEL			ON TIME
		%	CE959G			
		10%	90W	4 sec	26 sec	
		20%	180W	7 sec	23 sec	
		30%	270W	10 sec	20 sec	
		40%	360W	13 sec	17 sec	
		50%	450W	16 sec	14 sec	
		60%	540W	19 sec	11 sec	
		70%	630W	22 sec	8 sec	
		80%	720W	25 sec	5 sec	
		90%	810W	28 sec	2 sec	
		100%	900W	30 sec	0 sec	
OPERATING FREQUENCY		2,450MHz				
MAGNETRON		OM75PH(31)				
COOLING METHOD		COOLING FAN MOTOR				
OUTSIDE DIMENSIONS		517(W) x 297(H) x 410(D)				
NET WEIGHT		20 Kg				
SHIPPING WEIGHT		22 Kg				

2-2 Comparison Chart

FEATURE	MODEL	CE959G
MORE/LESS		○
AUTO REHEAT		○
AUTO DEFROST		○
AUTO COOK		○
TIME COOK		○
POWER LEVEL (10)		○
CHILD LOCK		○
CLOCK		○
GRILL		○
COMBI		○
BEEPER ON/OFF		○

3. Exploded Views and Parts List

3-1 Exploded Views



4-2 Main Parts List

Ref. No.	Parts No.	Description/Specification	Q'ty	Remarks
M 1	DE70-30001C	PANEL-OUTER;V/STEEL,T0.7,360,1128,STONE-GR	1	
M 2	DE63-90035G	CUSHION-RUBBER;DFA20,T2,W190,L100,BLK	1	
M 3	DE61-50017A	BRACKET-UPPER;SECC1,T0.6,340,216	1	
M 4	DE47-70031G	HEATER-GRILL;D6.6,230V1280W,M9G45,SJH	1	
M 5	DE63-20017A	GASKET-HEATER;BRASS,T1.5,OD30.5,ID22.5	1	
M 6	DE60-40009B	WASHER-TEFLON;SLOT,ID22.2,OD28,T1.2,TEFLON	1	
M 7	DE61-50021A	BRACKET-FLANGE;SECC1,T0.8,32,32	1	
M 8	DE61-50347A	BRACKET-EARTH;BSS2-A,T1.0,W35,L43,MBGF45	1	
M 9	DE61-50027B	BRACKET-HEATER;SECC,T1.0,W51,L55,CE945GF	1	
M 10	DE93-20020A	ASSY BODY LATCH;RE-43B/90B	1	
M 11	DE73-90027A	FERRITE-CORE;NI-ZN,T13.8,W21.0,L28.0,BNF-14	1	
M 12	DE26-10100A	TRANS-H.V.;SHV-945EG1,230V,2280V/3.15V,50	1	
M 13	2501-001030	C-OIL;1.1uF,2100V,BK,35x54x95,20mm	1	
M 14	DE61-50106A	BRACKET-HVC;SECC,T0.8,W31,L125.8	1	▲
M 15	DE59-40001A	DIODE-H.V.;HVR-1X-32B-12	1	
M 16	DE91-70061A	ASSY-H.V.FUSE;THV060T-0800-H,5KV/0.8A,WHT	1	
M 17	DE31-10156A	MOTOR-FAN;SMF-945EA,230/50,2400,M97G45	1	
M 18	DE91-40095A	ASSY NOISE FILTER;SN-E10D(N),250V,10A,2ND-WD-TYP	1	
M 19	DE61-40017A	FOOT;PP(A353),BLK,MW5630T	2	
M 20	DE80-10001A	BASE-PLATE;SGCC,T0.8,345,565,	1	
M 21	DE31-10154A	MOTOR-DRIVE;M2HJ49ZR02,ST-16,21V,5/6	1	
M 22	DE71-60382A	COVER-CEILING;MICASHEET,T0.5,70,133	1	
M 23	DE71-60016A	COVER-AIR;PP,2,WHT,M945/M245	1	
M 24	4713-001031	LAMP-INCANDESCENT;230V,173mA,40W,ORG,-,-,25x69mm	1	
M 25	DE94-00024A	ASSY DOOR;CE959GT-D,DARK-GRAY,AMFO	1	
M 26	DE94-00025A	ASSY CONTROL-BOX;230V50HZ,CE959GT-D,DARK-GRAY,AMFO	1	
M 27	DE61-30006A	SUPPORTER-HEATER;ALUMINA,5G,2ND-W/P	1	
M 28	DE61-70060A	SPRING-PLATE;SK-5,T0.5	1	
M 29	DE61-50490A	BRACKET-TCO;SECC1,T0.6,34,58	1	
M 30	DE03-30035A	MAGNETRON;OM75PH((31)ESS	1	
M 31	DE47-20009A	THERMOSTAT;PW2N-520PB,160/60,250V/7.5A,H,	1	
M 32	DE47-20161A	THERMOSTAT;PW2N(120/110)187Z23.,250V/7.5A	1	
M 33	DE47-20008A	THERMOSTAT;PW2N-52JC,100/60,250V/7.5A,H,1	1	
M 34	DE74-20015B	TRAY-COOKING;GLASS,T6.0,PI318,1050G,MW5630T	1	
M 35	DE92-90189D	ASSY-GUIDE ROLLER;D19,STD	1	
M 36	DE67-60075A	COUPLER;PPS,7G,BRN,M97G45	1	
M 37	DE74-70003A	RACK WIRE;MSWR3,3,290,125,SNC2,CE945G	1	
M 38	DE65-20014A	CABLE CLAMP;DA-6N,NY-66	1	
M 39	DE72-60005A	GUIDE-AIR;SECC1-P,T0.5,210,225	1	
M 40	DE92-90524A	ASSY-COVER BACK;CE945G	1	
M 41	DE63-90065N	CUSHION-GUIDE;PUT-FOAM,T10,W10,L200,BLK,MW55	2	
M 42	DE63-90065O	CUSHION-GUIDE;PUT-FOAM,T35,W20,L135,BLK,MW55	1	
M 43	DE39-40409A	WIRE HARNESS-E;230V50HZ,M9G45,CTW	1	
M 44	DE39-40568A	WIRE HARNESS-A;230V50HZ,CE745G/CE945G	1	
M 45	DE39-20058C	ASSY POWER CORD;KKP-4819D/B232,250V16A,L1700,G	1	
M 46	DE91-70101C	ASSY-THERMOSTAT;MW5574W,160/60,187-HORIZ	1	
M 47	DE74-20107A	TRAY BROILER;CE945GF(SSW),MW5574W	1	

3-3 Door Parts List

Ref. No.	Parts No.	Description/Specification	Q'ty	Remarks
D 1	DE64-20112J	HANDLE;ABS(HR0370),30G,-,-,D/GRAY,M959-D	1	
D 2	DE94-00013A	ASSY DOOR-A;M959-D,D/GRAY	1	
D 3	DE64-40263P	DOOR-A;ABS,-,M959-D	1	
D 4	DE64-40265D	DOOR-SCREEN;ACRYL(IF850)ED17,M959	1	
D 5	DE92-50127H	ASSY DOOR-E;COATING,BLACK,T0.8	1	
D 6	DE64-40012A	DOOR-C;RESIN-PP(TB53),T2.0,CE945GF,BL	1	
D 7	DE01-00002A	FILM-DOOR;PET,T0.15,275,175,NTR,CE945GF	1	
D 8	DE61-70126A	SPRING-KEY;0.8,0,36,6,BLUIING"	1	
D 9	DE64-40264C	DOOR-KEY;POM(F20-02),5g,BLK,1,2ND,HANDL	1	
D 10	DE61-80003A	HINGE-LOWER;SCP1,T2.3,26,77,ZPC3,WHT,CE945	1	
D 11	DE61-80002A	HINGE-UPPER;SCP1,T2.3,26,77,ZPC3,WHT,CE945	1	

3-4 Control Parts List

Ref. No.	Parts No.	Description/Specification	Q'ty	Remarks
C 1	DE71-00002A	COVER-PANEL;ABS(HR0370D),-,-,CE959GT-D,DARK-GRAY	1	
C 2	DE67-40145A	WINDOW-DISPLAY;ACRYL,T2,W40,L77,SMOG,30G	1	
C 3	DE72-70211Q	CONTROL-PANEL;ABS(HR0370D),WHT,-,-,CE959GT-D	1	
C 4	DE66-00001A	BUTTON-SELECT(A);PC	1	
C 5	DE66-20197V	BUTTON-SELECT(A-B);PC,-,-,M959-D,D/GRAY	1	
C 6	DE66-20198V	BUTTON-SELECT(A-C);PC,-,-,M959-D,D/GRAY	1	
C 7	DE66-20179A	BUTTON-SELECT;ABS(HR0370),NTR,30G,RE-445	1	
C 8	DE91-10537A	ASSY PCB-MAIN;RC-959G-00,230V50Hz,VFD,CE959G	1	● ▲
C 9	DE66-20175L	BUTTON-SELECT(B);ABS(HR0370),-,-,M959-D,D/GRAY	1	
C 10	DE66-20176L	BUTTON-SELECT(C);ABS(HR0370),-,-,M959-D,D/GRAY	1	
C 11	DE66-20177M	BUTTON-SELECT(D);ABS(HR0370),-,-,M959-D,D/GRAY	1	
C 12	DE66-20178M	BUTTON-SELECT(E);ABS(HR0370),-,-,M959-D,D/GRAY	1	
C 13	DE64-10127F	KNOB-COVER;ABS(HR0370D),-,CE959GT-D	1	
C 14	DE66-20182G	BUTTON-START;ABS(HR0370D),-,-,DE959GT-D,DARK-GRAY	1	
C 15	DE71-60378A	COVER-LAMP;POM,T2,W19.4,L27,3G,NTR,RE-446	1	
C 16	DE94-00021A	ASSY CONTROL-PANEL;-,-,CE959GT-D,DARK-GRAY,AMFO	1	

3-5 Body Latch Parts List

Ref. No.	Parts No.	Description/Specification	Q'ty	Remarks
B 1	DE66-40001A	LATCH-BODY;POM(F20-02) 40GR NTR	1	
B 2	3405-000178	SWITCH-MICRO;VP-533A-OF-PS(T85) 250V,15A	2	
B 3	3405-000175	SWITCH-MICRO;VP-531A-OF(T85) 250V,15A,20	1	
B 4	DE66-90001A	LEVER-SWITCH;P.O.M(F20-02) 2 6 NTR 2ND-W	1	

● : Option Parts

▲ : Warning

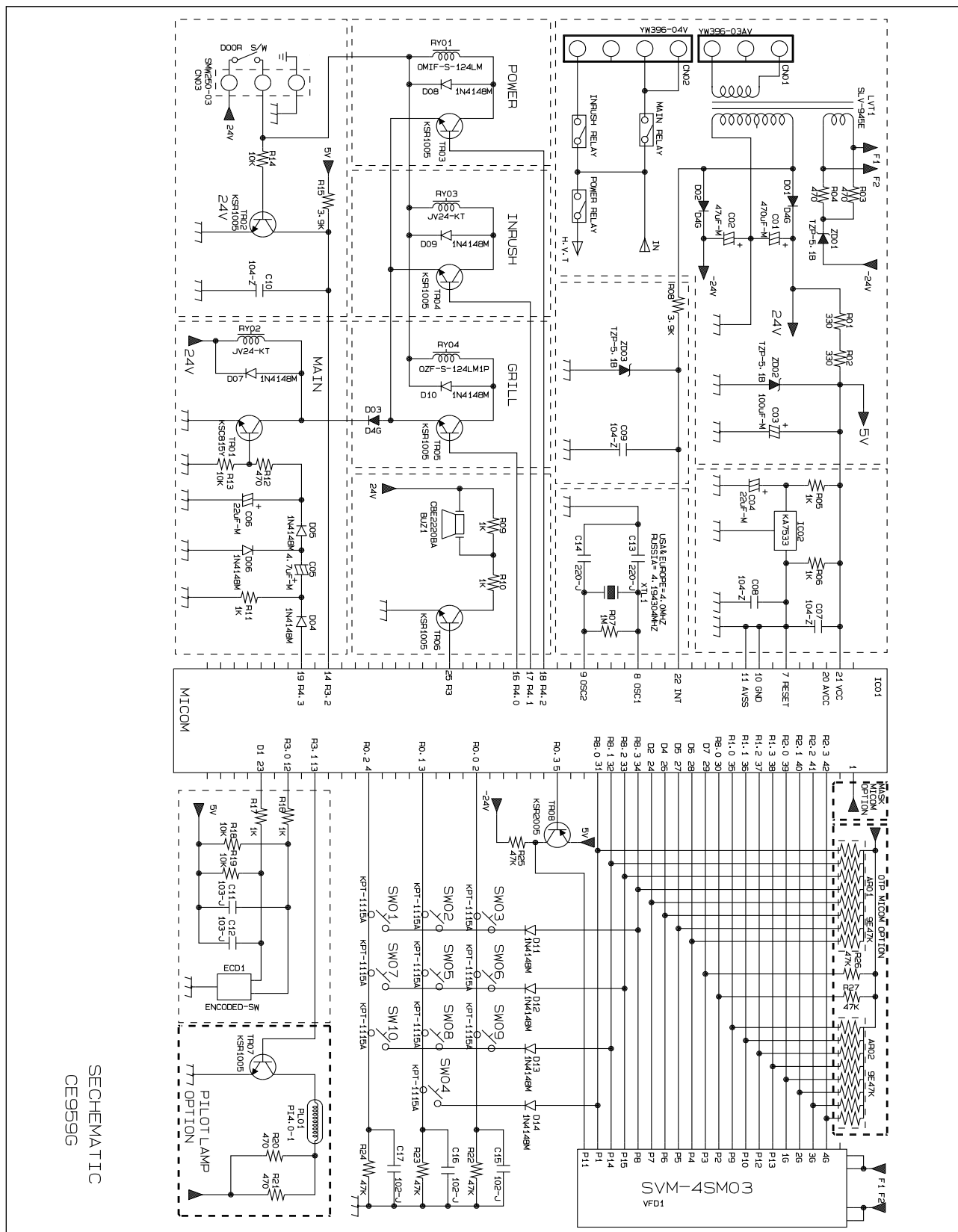
▲ :Electrostatically Sensitive Devices

3-6 Standard Parts List

Parts No.	Description / Specification	Q'ty	Remarks
DE60-10012A	SCREW-TAP TITE;TH,+,3,M4,L10,SWR10,ZPC2,TOOTH	1	N-F-EA
DE60-10012A	SCREW-TAP TITE;TH,+,3,M4,L10,SWR10,ZPC2,TOOTH	1	P-C-EA
DE60-10012A	SCREW-TAP TITE;TH,+,3,M4,L10,SWR10,ZPC2,TOOTH	1	S-M-EA
DE60-10013A	SCREW-ASSY TAP;TH,2S,4,L12,MSWR3,ZPC3,FIBER	1	MO/FAN
DE60-10018A	SCREW-ASSY MACHINE;PH,M4X0.7P,8,MSWR10,SN1,WS	2	B/EATH
DE60-10024A	SCREW-PH;PH,+,M4,L8,MSWR10,ZPC3	2	B/HEAT
DE60-10045A	SCREW-TAP PH;PH,M3,L6,FEFZY	2	MG-TCO
DE60-10069A	SCREW-TAP TH;TH,M4,L10,FRFZY	3	B/UPPE
DE60-10069A	SCREW-TAP TH;TH,M4,L10,FRFZY	1	CV/AIR
DE60-10072A	SCREW-TAP TH;TH,M4,L16,FEFZY,2-SLOT	1	CB-CMP
DE60-10080A	SCREW-WASHER;M5,L12,2S	4	MGT
DE60-10080A	SCREW-WASHER;M5,L12,2S	4	TNS-HV
DE60-10082H	SCREW-A;2S-4X12,TOOTHED	2	B-PLTE
DE60-10082H	SCREW-A;2S-4X12,TOOTHED	2	CN-BOX
DE60-10082H	SCREW-A;2S-4X12,TOOTHED	2	LATCH
DE60-10082H	SCREW-A;2S-4X12,TOOTHED	5	PN-OUT
DE60-10098A	SCREW-ASSY TAP TITE;PH,TC,M4X8,SWRCH18A,ZPC2,GLD,W	1	CV-TCO
DE60-10098A	SCREW-ASSY TAP TITE;PH,TC,M4X8,SWRCH18A,ZPC2,GLD,W	2	M/DRIV
DE60-10122A	SCREW-TAP TH;TAP,TH,2-4X8,FE,FN	2	C-CEIL
DE60-20063A	BOLT-FLANGE;M4,10,ZPC3,YEL,MSWR	2	HI-LOW
DE60-20063A	BOLT-FLANGE;M4,10,ZPC3,YEL,MSWR	2	HI-UPP
DE60-10045A	SCREW-TAP PH;PH,M3,L6,FEFZY	1	-
DE60-10066A	SCREW-TAP TH;TH,M4,L8,FEFZY,2-SLOT	2	H/DOOR
DE60-10012A	SCREW-TAP TITE;TH,+,3,M4,L10,SWR10,ZPC2,TOOTH	1	-
DE60-10098A	SCREW-ASSY TAP TITE;PH,TC,M4X8,SWRCH18A,ZPC2,GLD,W	1	-
DE60-10088A	SCREW-TAP PH;PH,M3,L8,FEFZY,PLAIN	12	CON/PANEL
DE60-10045A	SCREW-TAP PH;PH,M3,L6,FEFZY	1	GR-TCO

4. P.C.B Diagrams

4-1 P.C.B Diagrams



4-2 P.C.B Parts List

Parts No.	Description / Specification	Q'ty	Remarks
3501-001050	RELAY-MINIATURE;24VDC,200mW,5A,1FormA,10mS,5mS	2	RY02,RY03
3501-001062	RELAY-POWER;24VDC,523.2mW,16A,1FormA,15mS	1	RY01
3501-001068	RELAY-POWER;24Vdc,523mW,16A,1FormA,15mS,10	1	RY04
DE07-10081A	V.F.DISPLAY;SVM-4SM03,GRN/RSHORG,4,51,81.7	1	VFD1
DE09-30725A	IC-MCU;HD404316-D48S,CE959G	1	IC01
DE26-20141A	TRANS-L.V;SLV-945E,230V,50HZ,AC17/2.9V	1	LVT1
DE30-20016A	BUZZER;CBE2220BA,STICK	1	BUZ1
DE39-40723A	WIRE HARNESS;DC35V,C-959G,80mm,12PIN	1	CN05
DE61-90320A	HOLDER-DIGITRON;PP,-,W37,L83.3,-,CE959G	1	-
DE91-20635A	ASSY PCB AUTO-MAIN;230V50Hz,VFD,CE959G	1	-
0401-001002	DIODE-SWITCHING;1N4148M,100V,200mA,500mW,3nS,D	11	D04~D14
0402-001103	DIODE-RECTIFIER;1T4,400V,1A,TS-1,TP	3	D01~D03
0403-000717	DIODE-ZENER;MTZJ5.1B,5.1V,4.94-5.2V,500mW	3	ZD01~ZD03
0501-000388	TR-SMALL SIGNAL;KSC815,NPN,400mW,TO-92,BK,120	1	TR01
0504-001014	TR-DIGITAL;KSR1005,NPN,300mW,4.7K-10K,TO-	5	TR02~TR06
0504-001015	TR-DIGITAL;KSR2005,PNP,300mW,4.7K-10K,TO-	1	TR08
2001-000037	R-CARBON(S);330ohm,5%,1/2W,AA,TP,2.4x6.4mm	2	R01,R02
2001-000290	R-CARBON;10Kohm,5%,1/8W,AA,TP,1.8x3.2mm	4	R13,R14,R18,R19
2001-000429	R-CARBON;1Kohm,5%,1/8W,AA,TP,1.8x3.2mm	7	R05,R06,R09~R11,R16,R17
2001-000435	R-CARBON;1Mohm,5%,1/8W,AA,TP,1.8x3.2mm	1	R07
2001-000613	R-CARBON;3.9Kohm,5%,1/8W,AA,TP,1.8x3.2m	2	R08R15
2001-000780	R-CARBON;470ohm,5%,1/8W,AA,TP,1.8x3.2mm	3	R03,R04,R12
2001-000786	R-CARBON;47Kohm,5%,1/8W,AA,TP,1.8x3.2mm	4	R22~R25
2202-000127	C-CERAMIC,MLC-AXIAL;10nF,+80-20%,25V,Y5V,TP,-,7.5	2	C11,C12
2202-000780	C-CERAMIC,MLC-AXIAL;100nF,+80-20%,50V,Y5V,TP,3.5x1	4	C07~C10
2202-000796	C-CERAMIC,MLC-AXIAL;1nF,10%,50V,Y5P,TP,3.5x19	3	C15~C17
2401-000247	C-AL;100uF,20%,10V,GP,-,6.3x11mm,5m	1	C03
2401-000914	C-AL;22uF,20%,16V,GP,TP,5x11,5	2	C04,C06
2401-001268	C-AL;4.7uF,20%,50V,GP,TP,5x11,5	1	C05
2401-001412	C-AL;470uF,20%,35V,GP,TP,10x16,5	1	C01
2401-001573	C-AL;47uF,20%,50V,GP,TP,6.3x11,2.5	1	C02
2802-000161	RESONATOR-CERAMIC;4MHz,0.5%,TP,10.0x5.0x7.5mm	1	XTL1
3404-000282	SWITCH-TACT;12Vdc,50mA,120+-30gf,6.2x3.6mm	10	SW01~SW10
3711-000203	CONNECTOR-HEADER;1WALL,3P,1R,3.96mm,ANGLE,SN	1	CN01
3711-000240	CONNECTOR-HEADER;1WALL,4P,1R,3.96mm,STRAIGHT,SN	1	CN02
3711-000881	CONNECTOR-HEADER;BOX,3P,1R,2.5mm,STRAIGHT,SN	1	CN03
DE13-20009A	IC;KA7533,DIP	1	IC02 
DE39-60001A	WIRE-SO COPPER;PI0.6,SN,T,52MM,TAPING_WIRE	14	J01~J03,J05~J15
DE41-10463A	P.C.B-MAIN;FR-1,T1.6,W89,L330,CE959G	1	-
DE60-60012A	PIN-EYELET;ID2.1,OD2.5,L3.0,SN,BSP,T0.25	5	-

5. Schematic Diagrams

5-1 Schematic Diagrams

